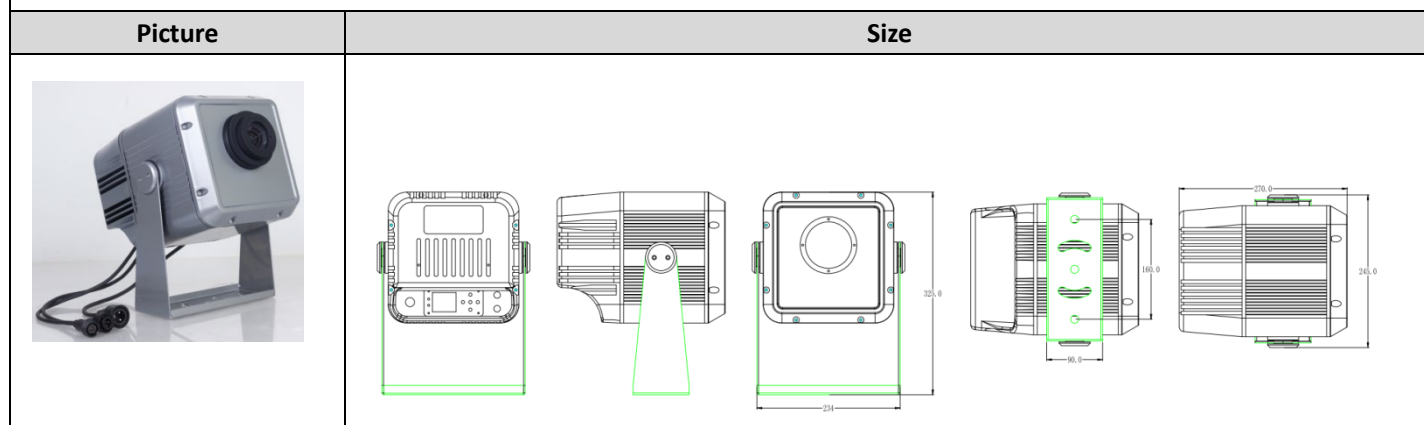
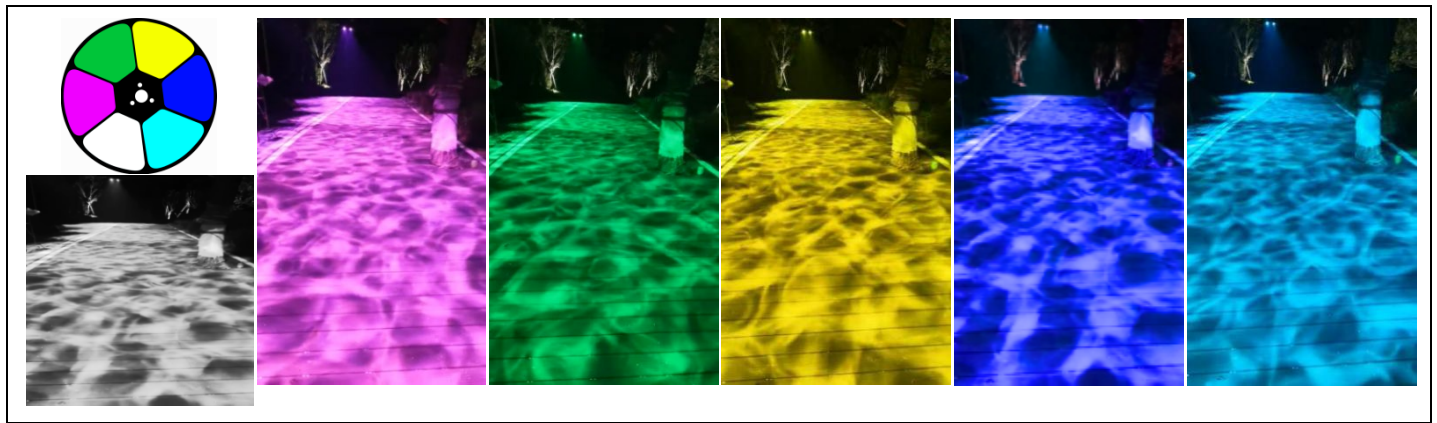



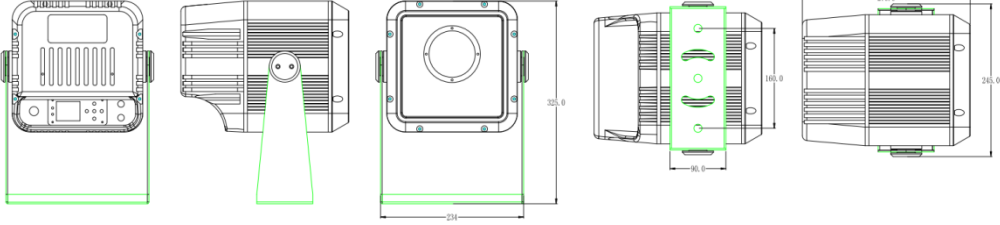
## Technical Specification (Waterproof Projection Light)



Specifications				Parameter
<b>Brand</b>	ARTFOX	<b>Model</b>		Input voltage: 110V-240VAC, 50/60HZ ; Light source: 200W LED , LED module, Osram led chip; Power consumption: 200W ; Color temperature: 7500K; CRI: Ra>90 LED lifespan: 50000 hours; Beam angle: 30°/ 45°/60° Optional; 30° projection distance. The diameter of the light spot at a height of 3 meters is about 1.5 meters, and the projection distance of 60°3 meters is about 3 meters.
<b>Name</b>	Watermark Lights	<b>Color</b>	Silver	
<b>Size</b>	34*25*21cm	<b>Package dimensions</b>	43*32*28.5cm	
<b>N.W</b>	7.8KG	<b>G.W</b>	9.85KG	
<b>Materiel</b>	Die-cast aluminum	<b>IP Rate</b>	IP65	
Effect system				IP rate: IP65; Strobe: 0.5-20 per second; Control Mode: 8CH, DMX512, Sound active, Auto-run ; color: 5 color+ white ; White temperature about 7500k; Multi-color gradient effect; Watermark wheel: 2 Watermark wheel, Water ripple speed is adjustable Dimmer: 0-255% liner dimming; Display: LCD display, Chinese and English display, Reversible display; Temperature detection: LCD displays show the operating temperature, if the temperature is too high, the LED automatically reduces the power to protect the lamp; Product Size: 25x21x32cm Package dimensions: 43*32*29cm Net weight: 7.8KG Gross Weight: 9.85KG  <b>LED photoelectric parameters:</b> 150W voltage 13-15V current 12A brightness 13000-15000lm 200W voltage 13-15V current 16A brightness 15000-17000lm 300 watts voltage 36-39V current 7.5A brightness 23000-25000lm Life: NTC temperature is kept within 70℃, 50000 hours
<b>LED resources</b>	<b>200W LED</b>	<b>Input voltage</b>	110V-240VAC, 50/60HZ;	
<b>LED Chip</b>	<b>Osram</b>	<b>Power consumption</b>	200W	
<b>LED lifespan</b>	<b>50000H</b>	<b>Display</b>	LCD display, Chinese and English display	
<b>Color temperature</b>	<b>7500K</b>	<b>CRI Rating</b>	Ra>90	
<b>Brightness</b>	<b>15000-17000lm</b>	<b>Beam angle</b>	30°/ 45°/60°	
<b>Color</b>	<b>5 color+White</b>	<b>Watermark wheel</b>	2 Watermark wheel, Water ripple speed is adjustable	
<b>Strobe</b>	<b>0.5-20 per second</b>	<b>Dimmer</b>	0-255% Linear dimming	
<b>Channel mode</b>	<b>8CH</b>	<b>Control protocol</b>	DMX512, Sound active,Auto-run	
<b>Power connection</b>	<b>Only input</b>	<b>Signal connection</b>	Input and output	
<b>Focus</b>	<b>Manual focus</b>	<b>temperature check</b>	LCD screen display show operating temperature	
Effects				



## Technical Specification (Waterproof pattern light)

Picture	Size
	

Specifications				Parameter
<b>Brand</b>	ARTFOX	<b>Model</b>		Input voltage: 110V-240VAC, 50/60HZ ; Light source: 200W LED , LED module, Osram led chip; Power consumption: 200W ; Color temperature: 7500K; CRI: Ra>90 LED lifespan: 50000 hours; Beam angle: 30°/ 45°/60° Optional; 30° projection distance. The diameter of the light spot at a height of 3 meters is about 1.5 meters, and the projection distance of 60°3 meters is about 3 meters. IP rate: IP65; Strobe: 0.5-20 per second; Control Mode: 8CH, DMX512, Sound active, Auto-run ; color: 5 color+ white ; White temperature about 7500k; Multi-color gradient effect; Gobo wheel: 4 gobos, the pattern can be rotated 360° Dimmer: 0-255% liner dimming; Display: LCD display, Chinese and English display, Reversible display; Temperature detection: LCD displays show the operating temperature, if the temperature is too high, the LED automatically reduces the power to protect the lamp; Product Size: 25x21x32cm
<b>Name</b>	Waterproof pattern light	<b>Color</b>	Silver	
<b>Size</b>	34*25*21cm	<b>Package dimensions</b>	43*32*28.5cm	
<b>N.W</b>	7.8KG	<b>G.W</b>	9.85KG	
<b>Materiel</b>	Die-cast aluminum	<b>IP Rate</b>	IP65	
Effect system				
<b>LED resources</b>	<b>200W LED</b>	<b>Input voltage</b>	110V-240VAC, 50/60HZ;	
<b>LED Chip</b>	<b>Osram</b>	<b>Power consumption</b>	200W	
<b>LED lifespan</b>	<b>50000H</b>	<b>Display</b>	LCD display, Chinese and English display	
<b>Color temperature</b>	<b>7500K</b>	<b>CRI Rating</b>	Ra>90	
<b>Brightness</b>	<b>15000-17000lm</b>	<b>Beam angle</b>	30°/ 45°/60°	
<b>Color</b>	<b>5 color+White</b>	<b>Gobo wheel</b>	4 gobos, the pattern can be rotated 360°	

<b>Strobe</b>	<b>0.5-20 per second</b>	<b>Dimmer</b>	0-255% Linear dimming	Package dimensions: 43*32*29cm Net weight: 7.8KG Gross Weight: 9.85KG  <b>LED photoelectric parameters:</b> 150W voltage 13-15V current 12A brightness 13000-15000lm 200W voltage 13-15V current 16A brightness 15000-17000lm 300 watts voltage 36-39V current 7.5A brightness 23000-25000lm Life: NTC temperature is kept within 70°C, 50000 hours
<b>Channel mode</b>	<b>8CH</b>	<b>Control protocol</b>	DMX512, Sound active, Auto-run	
<b>Power connection</b>	<b>Only input</b>	<b>Signal connection</b>	Input and output	
<b>Focus</b>	<b>Manual focus</b>	<b>temperature check</b>	LCD screen display show operating temperature	
<b>Other</b>				

**Effects**

