

KingWash 19QX

19x30W, Quad-color, Zoom 5-60 degree



User manual

Please read the instructions carefully before use

TABLE OF CONTENTS

1. Safety Instructions.....	2
2. Technical Specifications	4
3. How To Control The Unit.....	5
4. shape.....	12
5. Trouble shooting	13
6. Fixture Cleaning	14

statement

The product has well capability and intact packing when leave factory. All of the user should comply with warning item and manual, any misuse cause of the damages are not included in our guarantee, and also can not be responsible for any malfunction & problem owing to ignore the manual.

1. Safety Instructions

Please keep this User Guide for future consultation. If you sell the unit to another user, be sure that they also receive this instruction booklet.

Unpack and check carefully there is no transportation damage before using the unit.

Before operating, ensure that the voltage and frequency of power supply match the power requirements of the unit.

It's important to ground the yellow/green conductor to earth in order

damage or interference to DMX interface circuit.

C. One of the channels is not working well

1. The stepper motor might be damaged or the cable connected to the PCB is broken.
2. The motor's drive IC on the PCB might be out of condition.

6. Fixture Cleaning

The cleaning of internal and external optical lenses and/or mirrors must be carried out periodically to optimize light output. Cleaning frequency depends on the environment in which the fixture operates: damp, smoky or particularly dirty surrounding can cause greater accumulation of dirt on the unit's optics.

Clean with soft cloth using normal glass cleaning fluid.

Always dry the parts carefully.

Clean the external optics at least every 20 days. Clean the internal optics at least every 30/60 days.

to avoid electric shock.

The unit is for indoor use only. Use only in a dry location.

The unit must be installed in a location with adequate ventilation, at least 50cm from adjacent surfaces. Be sure that no ventilation slots are blocked.

Disconnect main power before replacement or servicing.

Make sure there are no flammable materials close to the unit while operating as it is fire hazard.

Use safety cable when fixes this unit. DO NOT handle the unit by taking its head only, but always by taking its base.

Maximum ambient temperature is T_a : 40°C. DO NOT operate it where the temperature is higher than this Unit surface temperature may reach up to 85°C. DO NOT touch the housing bare-hand during its operation. Turn off the power and allow about 15 minutes for the unit to cool down before replacing or serving.

In the event of serious operating problem, stop using the unit immediately. Never try to repair the unit by yourself. Repairs carried out by unskilled people can lead to damage or malfunction. Please contact the nearest authorized technical assistance center. Always use the same type spare parts.

DO NOT touch any wire during operation as high voltage might be causing electric shock.

Warning:

To prevent or reduce the risk of electrical shock or fire, do not expose the unit to rain or moisture.

DO NOT open the unit within five minutes after switching off.

The housing, the lenses, or the ultraviolet filter must be replaced if they are visibly damaged.

Caution:

There are no user serviceable parts inside the unit. DO NOT open the housing or attempt any repairs yourself. In the unlikely event your unit may require service, please contact your nearest dealer.

Installation:

The unit should be mounted via its screw holes on the bracket. Always ensure that the unit is firmly fixed to avoid vibration and slipping while operating. And make sure that the structure to which you are attaching the unit is secure and is able

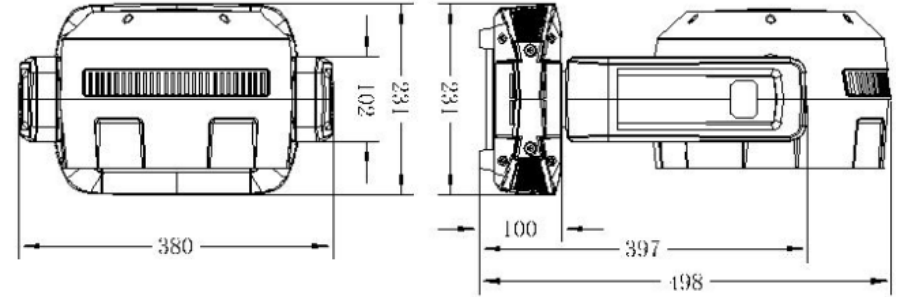
to support a weight of 10 times of the unit's weight. Also always use a safety cable

that can hold 12 times of the weight of the unit when installing the fixture.

The equipment must be fixed by professionals. And it must be fixed at a place where is out of the touch of people.

2. Technical Specifications

The ARTFOX **KingWash 19QX** features 19x30W RGBW Quad Osram LEDs, It features most power mutil-chip quad-color, Whats more, It features advanced zoom optical system, which range from 5-60 degrees . To fit with high-end applications, It also features 16 bit Dimming curve,,excellent color mixing. Extremely quite fans design, 3 section circle control. Because of Special spherical Lens, there are no any leak lights, so the beam effect is narrow and wash effect is bright.



5. Trouble shooting

Following are a few common problems that may occur during operation. Here are some suggestions for easy troubleshooting:

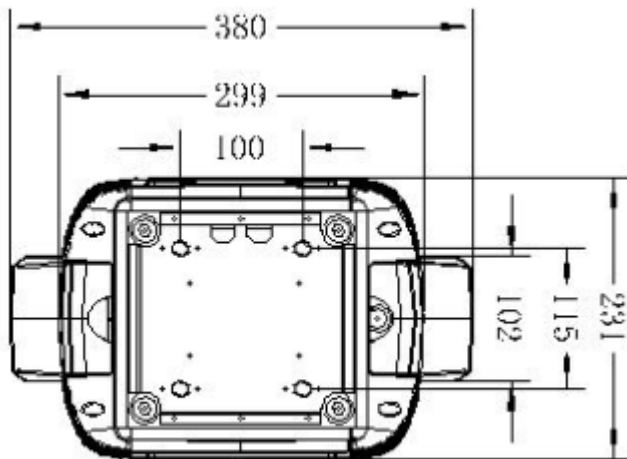
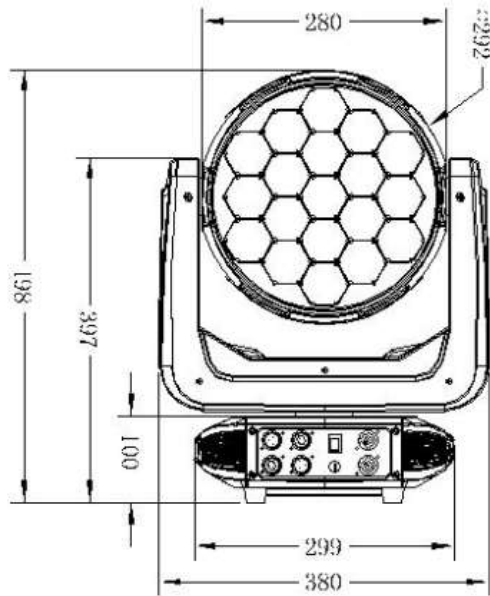
A. The unit does not work, no light and the fan does not work

1. Check the connection of power and main fuse.
2. Measure the mains voltage on the main connector.
3. Check the power on LED.

B. Not responding to DMX controller

1. DMX LED should be on. If not, check DMX connectors, cables to see if link properly.
2. If the DMX LED is on and no response to the channel, check the address settings and DMX polarity.
3. If you have intermittent DMX signal problems, check the pins on connectors or on PCB of the unit or the previous one.
4. Try to use another DMX controller.
5. Check if the DMX cables run near or run alongside to high voltage cables that may cause

4. Shape



Specifications:

2.

3. Features:

1. Latest Power LED Chip Technology, 30W Each, Long time Lifespan

4. Advanced Optical Zoom System(5-60degree)

5. ARTFOX Unique design ,Fast and silent zoom system, Outstanding color macro effect

6. 4.5- pin and 3-pin DMX , Powercon In/Out

Specifications

Source Type: High power 19x40w RGBW 4-in-1 LEDs, 60,000 hours lifetime, 3 screction individual LED controls

Pan: 540° Tilt: 270°

DMX:19/27 chs

CONTROL / CONNECTIONS

2 DMX Channel Modes (19/27chs)

Stand-alone mode and Master/Slave modes

4 Button Touch Control Panel

LCD Menu Display

3pin, 5pin DMX In/Out

powerCON In

ELECTRICAL / THERMAL

AC 100-240V - 50/60Hz

650W Max Power Consumption

-13°F to 113°F (-25°C to 45°C)

APPROVALS / RATINGS

FCC | CE | RoHs Compliant | IP20

SIZE / WEIGHT :

Length: 14.2" (360mm)

Width: 11.4", (290mm)

Vertical Height:17.8", (460mm)

Weight: 35.3lbs. (16 kg)

3. How To Control The Unit

The DMX512 is widely used in intelligent lighting control,with a DMX 512

controller.connect several lights together,dmx in and dmx out,

3 pin XLR connectors: Pin 1: GND, Pin 2: Negative signal (-), Pin 3: Positive signal (+)

14	22		Static color
		0-16	No function
		17-255	Each 8 value for 1 color
15	23		Dynamic color
		0-49	No function
		50-99	Skip change
		100-255	Gradual change
16	24		Patterns:
		0-19	Pattern 1
		20-39	Pattern 2
		40-59	Pattern 3
		60-79	Pattern 4
		80-99	Pattern 5
		100-119	Pattern 6
		120-139	Pattern 7
		140-159	Pattern 8
		160-179	Pattern 9
		180-199	Pattern 10
		200-219	Pattern 11
		220-255	Pattern 12
17	25	0-255	Pattern change Speed:
18	26	0-255	Pantern change fade
19	27		Reset
		0-79	No function
		80-99	Reset
		100-255	No function

11		<u>Green LED-all arrays :</u>
	0-255	Green (0-Black , 255-100% Green)
12		<u>Blue LED -all arrays :</u>
	0-255	Blue (0-Black , 255-100% Blue)
13		<u>White LED -all arrays :</u>
	0-255	White (0-Black , 255-100% White)
10		<u>Red LED -array 1 :</u>
	0-255	Red (0-Black , 255-100% Red)
11		<u>Green LED-array 1 :</u>
	0-255	Green (0-Black , 255-100% Green)
12		<u>Blue LED -array 1 :</u>
	0-255	Blue (0-Black , 255-100% Blue)
13		<u>White LED -array 1 :</u>
	0-255	White (0-Black , 255-100% White)
14		<u>Red LED -array 2 :</u>
	0-255	Red (0-Black , 255-100% Red)
15		<u>Green LED-array 2 :</u>
	0-255	Green (0-Black , 255-100% Green)
16		<u>Blue LED -array 2 :</u>
	0-255	Blue (0-Black , 255-100% Blue)
17		<u>White LED -array 2 :</u>
	0-255	White (0-Black , 255-100% White)
18		<u>Red LED -array 3 :</u>
	0-255	Red (0-Black , 255-100% Red)
19		<u>Green LED-array 3 :</u>
	0-255	Green (0-Black , 255-100% Green)
20		<u>Blue LED -array 3 :</u>
	0-255	Blue (0-Black , 255-100% Blue)
21		<u>White LED -array 3:</u>
	0-255	White (0-Black , 255-100% White)

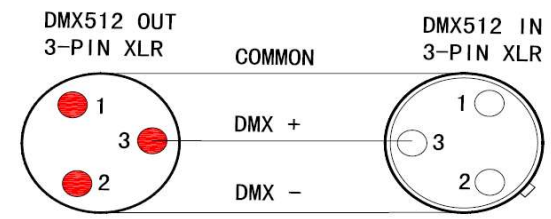
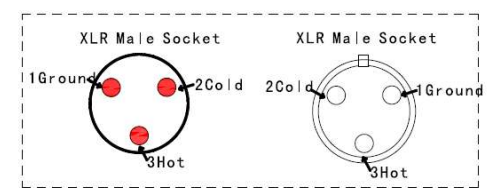


Figure2



XLR Pin Configuration	
pin1	=Ground
pin2	=Data Compliment (negative)
pin3	=Data true (positive)

Display:

- MENU To select the programming functions
- DOWN To go backward in the selected functions
- uP To go forward in the selected functions
- ENTER To confirm the selected functions

Set DMX Address Code

- 1 Press "**Menu**" to "Set DMX Address", and press "**ENTER**" keys to enter into
- 2 Show "Set DMX Address DMX Address:001", Press the "**UP and DOWN**" keys to amended
- 3 Press "**ENTER**" keys to save and Exit, Press the "**MENU**" Keys does not save and Exit

1	Address	Address 001 ~ 512	Address setting 001-512
2	Run Mode	1.DMX512	Console control
		2.Auto	1.Master
			2.Alone
		3.Sound	1.Master
			2.Alone

3	Reverse	1.Pan Pan forward or reversed setting	1.Yes
			2.No
		2.Tilt Tilt forward or reversed setting	1.Yes
			2.No
		3.Display Display forward or reversed setting	1.Yes
			2.No
4	Channel	27 channels	27 channel mode
		19 channels	19 channel mode
5	Pan Degree	540	Pan angle 540°/360° Rotation
		360	
6	Mic sense	001-100	Sound sensitivity 001-100
7	Inform	1.CH Value	Each channel show CH value
		2.Temp ____°C	Show the temperature of led board
		3.Soft V1.0	Show the version number
8	Reset	1.Yes	Reset
		2.No	
9	Default	3.Yes	Factory setting
		4.No	
10	Adjust	Pass word	****
		1.Pan	Pan fine control
		2.Tilt	Tilt fine control

		3.Focus	Zoom fine control
--	--	---------	-------------------

DMX channel's functions and values (19/27DMX channels):

Mode/Channel		Value	Function
Standard	Zone		
1	1		PAN Movement 8bit :
		0-255	Pan Movement
2	2		Pan Fine 16bit
		0-255	Fine control of Pan movement
3	3		TILT Movement 8bit :
		0-255	Tilt Movement
4	4		Tilt Fine 16bit
		0-255	Fine control of Tilt movement
5	5		Speed Pan/Tilt movement:
		0-225	max to min speed
6	6		STROBE
		0-15	No Function
		16-214	Strobe from slow to fast
7	7		Dimmer intensity:
		0-255	Intensity 0 to 100% (From Dark to bright)
			Dimmier mode
8	8	0-49	Dimmer mode 1
		50-99	Dimmer mode 2
		100-149	Dimmer mode 3
		150-255	Dimmer mode 4
9	9		Zoom :
		0-255	From near to far
10			Red LED -all arrays :
		0-255	Red (0-Black , 255-100% Red)